



**Description:** i Pod® Interface  
Installation Instructions

**Part Number:** 8E0 857 925C-6PS Interface  
1KO 868 003A Adapter Set

**Fitment:** A3, A4, TT with CD prep or  
CD changer only

**Application:** A3 2008>  
A4 2008 Only  
TT 2008>

**Supplier:** AGA

**Revision 1**

**Published date:** 11-12-07

**Attention!** Make sure you maintain the vehicle in a clean pristine condition, and trim components are undamaged and placed back into position. Always protect the painted and interior surfaces, on all vehicles during the installation. Have a clean terry cloth and cleaning alcohol with you to clean off any fingerprints on the interior of the vehicles.

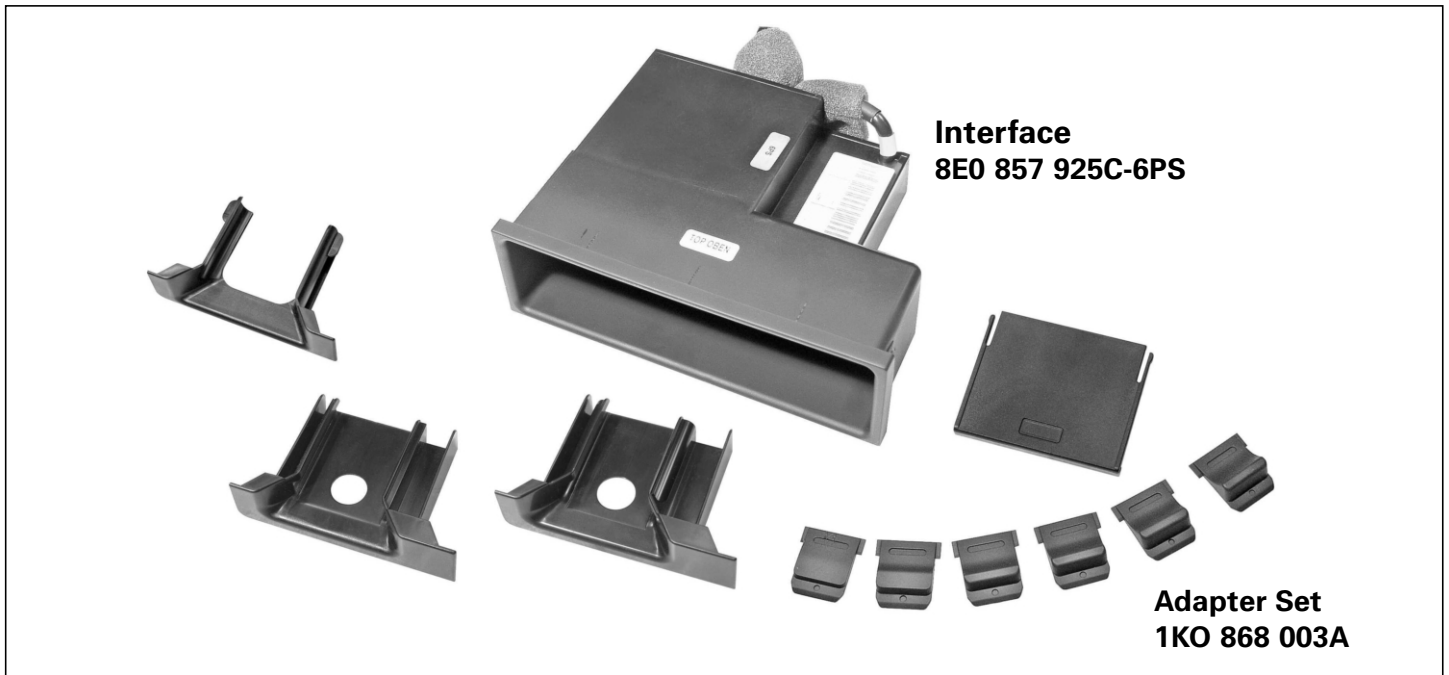
Note: The 2008 TT is currently the only vehicle that can be ordered with CD Changer prep or CD Changer. The 2008 A3–A4 must have a CD Changer to accommodate this installation.



Part Number: **8E0 857 925C-6PS Interface**  
**1KO 868 003A Adapter Set**  
Description: **i Pod® Interface**

Supplier: **AGA**  
Fitments: **A3 2008>**  
**A4 2008 Only**  
**TT 2008>**

**i Pod® Interface installation kit.**



**Installation tools required.**





Part Number: **8E0 857 925C-6PS Interface**  
**1KO 868 003A Adapter Set**  
Description: **i Pod® Interface**

Supplier: **AGA**  
Fitments: **A3 2008>**  
**A4 2008 Only**  
**TT 2008>**

## **i Pod® Interface Installation Instructions.**



**Step#1: Vehicles with CD Changer Prep:**  
Using plastic trim tool, remove glove compartment insert.



**Step#2: Vehicles with CD Changer Prep:**  
Disconnect CD harness connector from the rear of the glove compartment insert. Place glove compartment insert aside.



**Step#3: Vehicles with CD Changer:**  
Using 3B7 051 530 removing tool, remove the CD Changer.



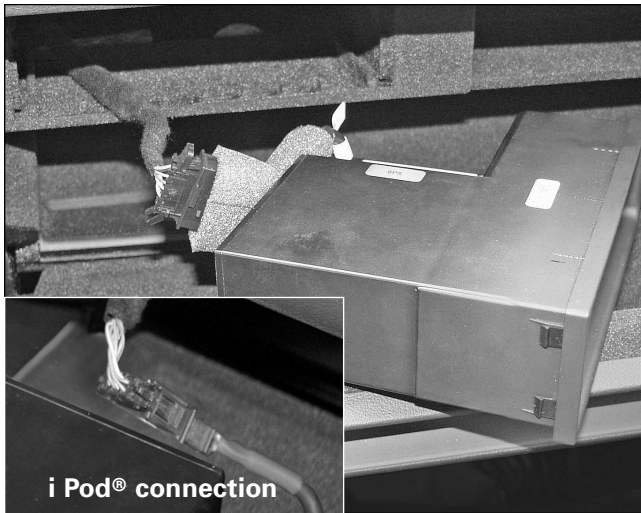
**Step#4: Vehicles with CD Changer:**  
Disconnect CD harness connector from the rear of the CD Changer. Set the CD Changer aside.



Part Number: **8E0 857 925C-6PS Interface  
1KO 868 003A Adapter Set**  
Description: **i Pod® Interface**

Supplier: **AGA**  
Fitments: **A3 2008>  
A4 2008 Only  
TT 2008>**

## **i Pod® Interface Installation Instructions.**



### **Step#5**

**Connect i Pod® harness to the vehicle's communications connection at the rear of the i Pod® Interface box.**



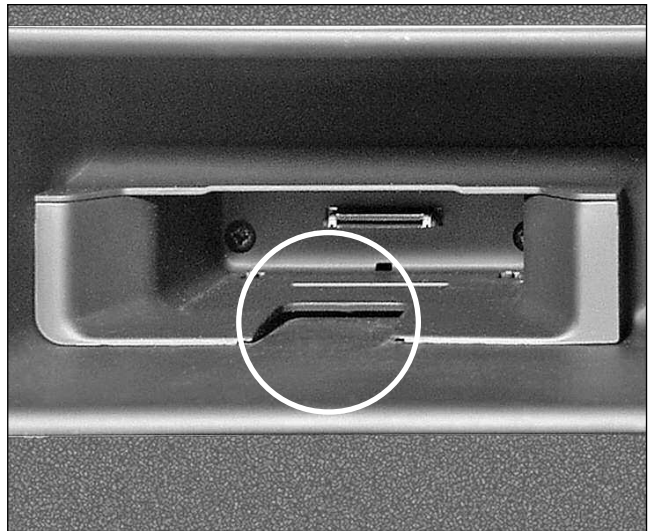
### **Step#6**

**Slide i Pod® Interface box into the opening, ensuring that the harness is not pinched. An audible "click" will indicate that the unit is fully seated.**



### **Step#7**

**Select from the included adapter trays to fit the owner's i Pod® type (Note: i Pod® Shuffle or Shuffle 1 are not applicable to this installation).**



### **Step#8**

**Position the selected adapter tray into the i Pod® Interface box (if required).**



Part Number: **8E0 857 925C-6PS Interface**  
**1K0 868 003A Adapter Set**  
Description: **i Pod® Interface**

Supplier: **AGA**  
Fitments: **A3 2008>**  
**A4 2008 Only**  
**TT 2008>**

## i Pod® Interface Installation Instructions.



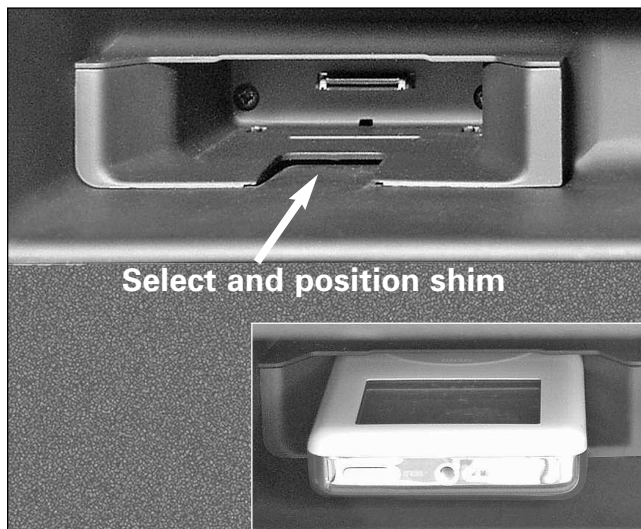
### **Step#9**

Place the i Pod® into the adapter tray and slide it onto the communications connection at the rear of the i Pod® Interface box.



### **Step#10**

Select one of the six shims that will secure the i Pod® in the adapter tray. Select a shim that does not “wedge” the i Pod® unit in place – the shim is a vibration damper only.



### **Step#11**

Insert the selected shim in the adapter slot. Test fit the i Pod® – i Pod® insertion and removal should be secure but not forced.



### **Step#12**

Turn on the radio, with the i Pod® in position connected to the dock connector. The radio screen will utilize the “CD” function to display the i Pod® track number. For Symphony II radios, press CD (button) until CD 7-12 is displayed. For Concert and RNSE radios CD 1-6 will be displayed.



Part Number: **8E0 857 925C-6PS Interface**  
**1KO 868 003A Adapter Set**

Description: **i Pod® Interface**

Supplier: **AGA**

Fitments: **A3 2008>**

**A4 2008 Only**

**TT 2008>**

## **i Pod® Interface Installation Instructions.**



**Please visit the Access Audi website under accessories to view additional notes regarding the use of the i Pod® and radio controls:**

- **Go to [accessaudi.com](http://accessaudi.com)**
- **Click on Parts tab**
- **Select the Audi Accessories Web Site link under the Related Sites area.**

### **Step#13**

**Return the glove compartment to closed position, remove any fingerprints or debris. Unless otherwise instructed, provide the insert and i Pod® Interface adapter trays and shims to owner.**